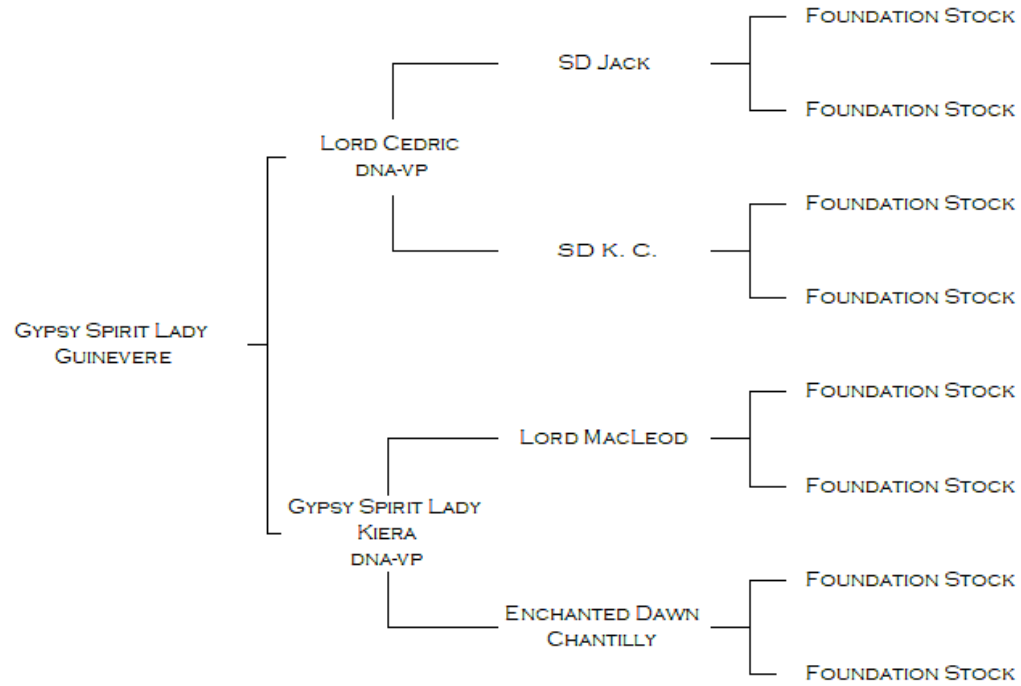


PEDIGREE OF GYPSY SPIRIT LADY GUINEVERE



* DNA-VP INDICATES PARENTAGE HAS BEEN CONFIRMED THROUGH DNA TESTING



NAME	ACCNO	VHL20	HTG4	AHT4	HMS7	ASB2	ASB17	AHT5	HMS6	ASB23	HTG10	HMS3	HTG6	HTG7	HMS2	LEX3	CA425	HMS1	LEX33
GYPSY SPIRITLADY GUINEVERE	H17-03084	IP	KM	IN	N	NQ	KN	MN	L	J	MO	P	GO	K	HI	LO	JN	MN	
PARENTAGE QUALIFIES																			